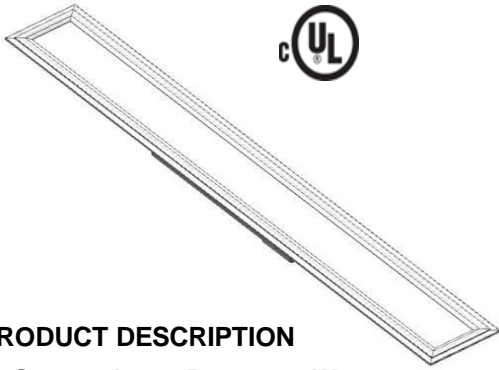


FETH (1/2X4) 20W Series



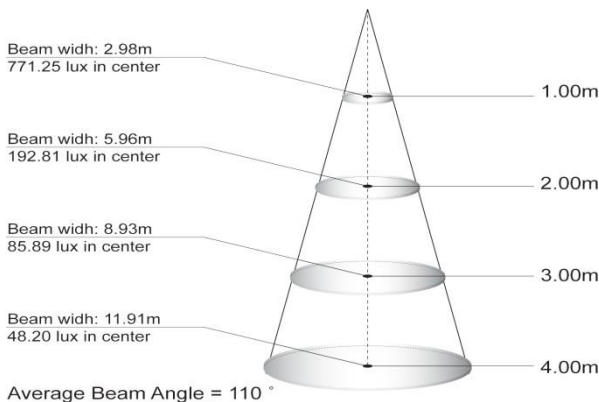
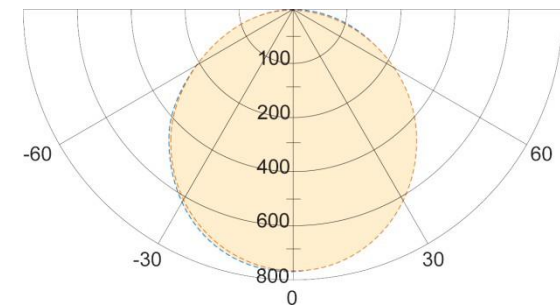
PRODUCT DESCRIPTION

- System Input Power: 20W
- Efficacy: 110 lm/W
- Lifetime Rating: 50,000Hrs
- Input Frequency(Hz): 50/60Hz
- 5-Year Warranty

Control:

- **DM/ZT - 0~10 Volt Dimming**

LIGHT DISTRIBUTION & DISTANCE LUMINARY



Control:

FETH series can be controlled with standard 0-10V LED dimmers. Tested 0-10V LED Dimmers include:

- Lutron – DIVA
- WattStopper - DLM

1/2'x4' PERFORMANCE OVERVIEW

PERFORMANCE	FETH-020DM40-SUS
Light Output (Lm)	2,200
Power (W)	20W
Efficacy (Lm/W)	110
CCT (K)	4000
CRI	> 80
Power Factor	> 0.9
Input Voltage (V)	120-277

PHYSICAL INFO

Dimension (W, L, H)	5" x 47.08" x 1.7"
Weight	6.2 lb.

ZONAL LUMEN SUMMARY

Zone	Lumens	% Lamp	Luminaire
0~30	690.2	31.3	31.3
30~60	1121.4	50.9	50.9
60~90	391.9	17.8	17.8
0~90	2203.5	100	100

COEFFICIENTS OF UTILIZATIONAL(%)

RC	90				70				50				0
	RW	60	50	30	10	60	50	30	10	50	30	10	0
RCR (0)	1.08	1.08	1.08	1.08	1.06	1.06	1.06	1.06	1.04	1.04	1.04	0.98	
1	0.98	0.96	0.92	0.89	0.95	0.94	0.91	0.88	0.91	0.89	0.86	0.82	
2	0.88	0.85	0.79	0.74	0.86	0.83	0.77	0.73	0.80	0.76	0.72	0.68	
3	0.80	0.75	0.68	0.62	0.77	0.73	0.66	0.61	0.71	0.65	0.60	0.57	
4	0.72	0.67	0.59	0.53	0.70	0.65	0.58	0.52	0.63	0.57	0.52	0.49	
5	0.66	0.60	0.52	0.45	0.63	0.58	0.51	0.45	0.57	0.50	0.45	0.42	
6	0.60	0.54	0.46	0.40	0.58	0.53	0.45	0.39	0.51	0.44	0.39	0.37	
7	0.55	0.49	0.41	0.35	0.53	0.48	0.40	0.35	0.47	0.40	0.35	0.32	
8	0.51	0.45	0.37	0.31	0.49	0.44	0.36	0.31	0.43	0.36	0.31	0.29	
9	0.47	0.41	0.33	0.28	0.45	0.40	0.33	0.28	0.39	0.33	0.28	0.26	
10	0.44	0.38	0.31	0.25	0.42	0.37	0.30	0.25	0.36	0.30	0.25	0.23	

CR = Room Cavity Ratio
 RC = Effective Ceiling Cavity
 Reflectance RW = Wall Reflectance

ORDERING INFORMATION

FET	H4	-020	DM	40	SUS
Model	Light Panel Size	Wattage	Control Option	CCT	Mounting
FET Edge Lit	H4 1/2' x 4	- 020 20 Watt	DM/ZT 0-10V Dimming	30 3000K 40 4000K 50 5000K	R Recessed