

FET22 (2x2) 25W & 40W Series



Edge Lit 2x2

PRODUCT DESCRIPTION

- System Input Power: 25W/40W
- Efficacy: 110 lm/W
- Lifetime Rating: 50,000Hrs
- Input Frequency(Hz): 50/60Hz
- IP 44 Rated – Protected from water spray from any direction.
- Available with “Magnum OPUS” DLC Networked Listed Lighting Controls for 0~10 Volt Dimming

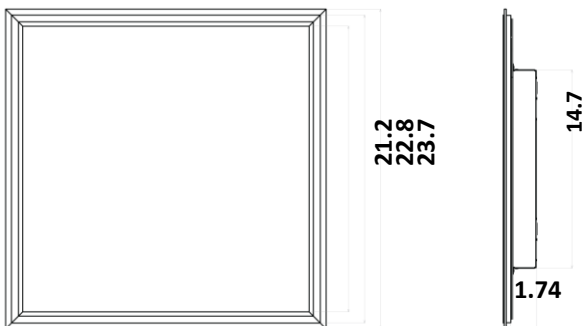
PRODUCT DESCRIPTION

Samjin's FTB Edge-Lit Flat Panel Series is designed for maximum uniformity with minimum glare. This minimalist design provides a biophilic illumination for various living environments. All FET models come with standard 0-10V dimming, ready to integrate with any popular control system including MADNUM OPUS DLC Networked Lighting Controls.

APPLICATIONS

Office	Fitness Center
School	Retail
Healthcare	

DIMENSIONS (Inches)



ORDERING INFORMATION

FET	22	-040	DM	40	IUS
Model	Size	Wattage	CCT	CCT	Mounting
FET Edge Lit	22 2' x 2'	-25 025 W -32 032 W -40 040 W	DM/ZT 0 ~ 10 Dimming	30 3000K 40 4000K 50 5000K	IUS Recessed (Surface Mounted Frames Available)

Product Control Options:

- FET24 series can be controlled with standard 0-10V LED dimmers. Tested 0-10V LED Dimmers include:
 - Lutron – DIVA
 - WattStopper – DLM
- (Available with “Magnum OPUS” DLC Networked Listed Lighting Controls for 0~10 Volt Dimming)

PERFORMANCE	FET22-025(DM/ZT)(30/40/50)IUS		
CCT (K)	3000	4000	5000
Light Output (lm)	2750	2750	2875
Power (W)	25		
Efficacy (lm/W)	110	110	115

PERFORMANCE	FET22-040(DM/ZT)(30/40/50)IUS		
Light Output (lm)	4400	4400	4600
Power (W)	40		
Efficacy (lm/W)	110	110	115
CCT (K)	3000	4000	5000
CRI (Ra)	> 80		
Power Factor	> 0.9		
Input Voltage(V)	100 – 277		

PHYSICAL INFO	
Dimension (inches)	23.7”(L) x 23.7” (W) x 1.74”(H)
Weight (lb)	10.4 lb

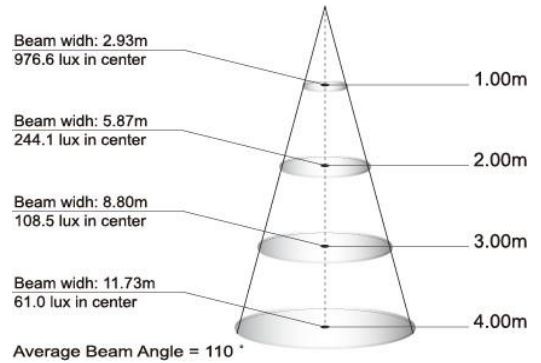
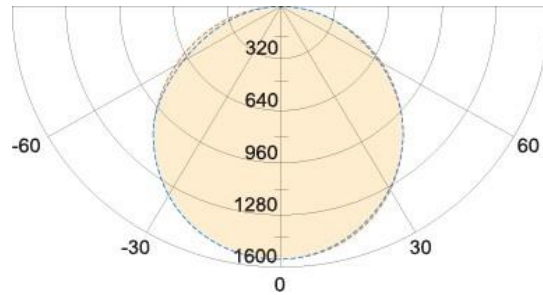
INSTALLATION		
Spacing Criteria	1.24 (0-180°)	1.24 (90°-270°)
Control	0-10V Dimming	
Mounting	Recessed	

WARRANTY
5-Year Warranty (Terms and Conditions Apply)

CERTIFICATIONS & QUALIFICATIONS



**LIGHT DISTRIBUTION & DISTANCE LUMINARY - FET22-025ZT30IUS
- FET22-025ZT40IUS**



ZONAL LUMEN SUMMARY

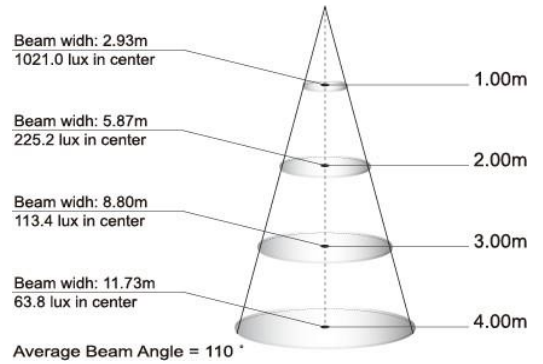
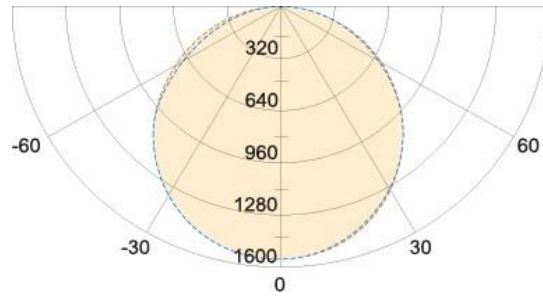
Zone	Lumens	% Lamp	Luminaire
0~30	869.8	31.6	31.6
30~60	1402.9	50.9	50.9
60~90	482.3	17.5	17.5
0~90	2755	100	100

COEFFICIENTS OF UTILIZATION

RC	90				70				50			0
RW	60	50	30	10	60	50	30	10	50	30	10	0
RCR(0)	1.10	1.10	1.10	1.10	1.07	1.07	1.07	1.07	1.05	1.05	1.05	1.00
1	1.00	0.98	0.94	0.91	0.97	0.95	0.92	0.89	0.93	0.90	0.88	0.84
2	0.90	0.86	0.80	0.75	0.87	0.84	0.79	0.74	0.82	0.77	0.73	0.69
3	0.81	0.77	0.69	0.63	0.78	0.74	0.68	0.62	0.72	0.66	0.62	0.58
4	0.73	0.68	0.60	0.54	0.71	0.66	0.59	0.53	0.64	0.58	0.53	0.50
5	0.67	0.61	0.53	0.46	0.64	0.59	0.52	0.46	0.58	0.51	0.46	0.43
6	0.61	0.55	0.47	0.40	0.59	0.54	0.46	0.40	0.52	0.45	0.40	0.37
7	0.56	0.50	0.42	0.36	0.54	0.49	0.41	0.35	0.48	0.41	0.35	0.33
8	0.52	0.46	0.38	0.32	0.50	0.45	0.37	0.32	0.44	0.37	0.32	0.29
9	0.48	0.42	0.34	0.29	0.46	0.41	0.34	0.28	0.40	0.33	0.28	0.26
10	0.44	0.39	0.31	0.26	0.43	0.38	0.31	0.26	0.37	0.30	0.26	0.24

CR = Room Cavity Ratio
RC = Effective Ceiling Cavity
Reflectance RW = Wall Reflectance

LIGHT DISTRIBUTION & DISTANCE LUMINARY - FET22-025ZT50IUS



ZONAL LUMEN SUMMARY

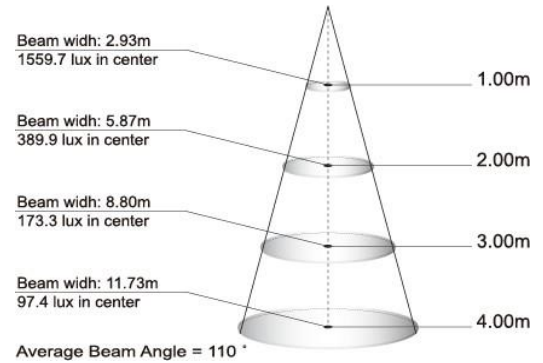
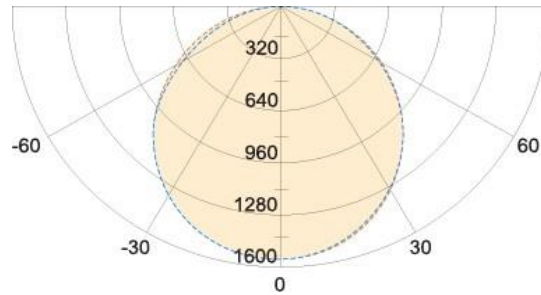
Zone	Lumens	% Lamp	Luminaire
0~30	909.4	31.6	31.6
30~60	1466.6	50.9	50.9
60~90	504.2	17.5	17.5
0~90	2880.2	100	100

COEFFICIENTS OF UTILIZATION

RC	90				70				50			0
	60	50	30	10	60	50	30	10	50	30	10	0
RW	60	50	30	10	60	50	30	10	50	30	10	0
RCR(0)	1.10	1.10	1.10	1.10	1.07	1.07	1.07	1.07	1.05	1.05	1.05	1.00
1	1.00	0.98	0.94	0.91	0.97	0.95	0.92	0.89	0.93	0.90	0.88	0.84
2	0.90	0.86	0.80	0.75	0.87	0.84	0.79	0.74	0.82	0.77	0.73	0.69
3	0.81	0.77	0.69	0.63	0.78	0.74	0.68	0.62	0.72	0.66	0.62	0.58
4	0.73	0.68	0.60	0.54	0.71	0.66	0.59	0.53	0.64	0.58	0.53	0.50
5	0.67	0.61	0.53	0.46	0.64	0.59	0.52	0.46	0.58	0.51	0.46	0.43
6	0.61	0.55	0.47	0.40	0.59	0.54	0.46	0.40	0.52	0.45	0.40	0.37
7	0.56	0.50	0.42	0.36	0.54	0.49	0.41	0.35	0.48	0.41	0.35	0.33
8	0.52	0.46	0.38	0.32	0.50	0.45	0.37	0.32	0.44	0.37	0.32	0.29
9	0.48	0.42	0.34	0.29	0.46	0.41	0.34	0.28	0.40	0.33	0.28	0.26
10	0.44	0.39	0.31	0.26	0.43	0.38	0.31	0.26	0.37	0.30	0.26	0.24

CR = Room Cavity Ratio
 RC = Effective Ceiling Cavity
 Reflectance RW = Wall Reflectance

LIGHT DISTRIBUTION & DISTANCE LUMINARY - FET22-040ZT30IUS - FET22-040ZT40IUS



ZONAL LUMEN SUMMARY

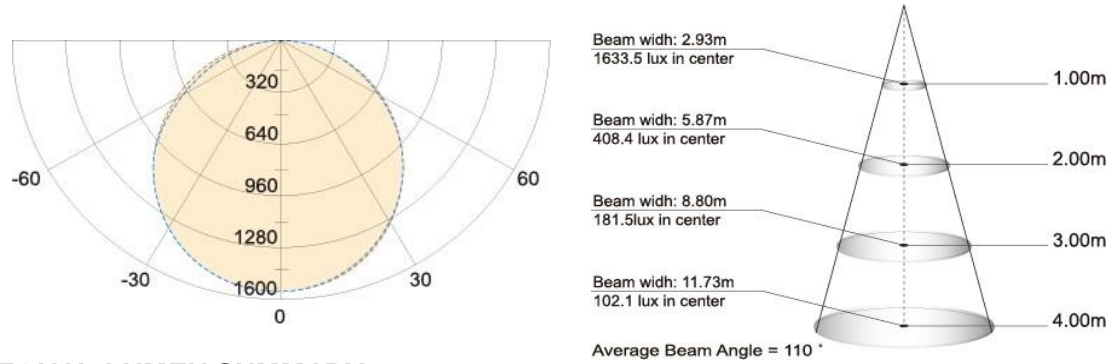
Zone	Lumens	% Lamp	Luminaire
0~30	1391.7	31.6	31.6
30~60	2244.6	50.9	50.9
60~90	771.6	17.5	17.5
0~90	4407.9	100	100

COEFFICIENTS OF UTILIZATION

RC	90				70				50			0
	RW 60	50	30	10	60	50	30	10	50	30	10	0
RCR(0)	1.10	1.10	1.10	1.10	1.07	1.07	1.07	1.07	1.05	1.05	1.05	1.00
1	1.00	0.98	0.94	0.91	0.97	0.95	0.92	0.89	0.93	0.90	0.88	0.84
2	0.90	0.86	0.80	0.75	0.87	0.84	0.79	0.74	0.82	0.77	0.73	0.69
3	0.81	0.77	0.69	0.63	0.78	0.74	0.68	0.62	0.72	0.66	0.62	0.58
4	0.73	0.68	0.60	0.54	0.71	0.66	0.59	0.53	0.64	0.58	0.53	0.50
5	0.67	0.61	0.53	0.46	0.64	0.59	0.52	0.46	0.58	0.51	0.46	0.43
6	0.61	0.55	0.47	0.40	0.59	0.54	0.46	0.40	0.52	0.45	0.40	0.37
7	0.56	0.50	0.42	0.36	0.54	0.49	0.41	0.35	0.48	0.41	0.35	0.33
8	0.52	0.46	0.38	0.32	0.50	0.45	0.37	0.32	0.44	0.37	0.32	0.29
9	0.48	0.42	0.34	0.29	0.46	0.41	0.34	0.28	0.40	0.33	0.28	0.26
10	0.44	0.39	0.31	0.26	0.43	0.38	0.31	0.26	0.37	0.30	0.26	0.24

CR = Room Cavity Ratio
RC = Effective Ceiling Cavity
Reflectance RW = Wall Reflectance

LIGHT DISTRIBUTION & DISTANCE LUMINARY - FET22-040ZT50IUS



ZONAL LUMEN SUMMARY

Zone	Lumens	% Lamp	Luminaire
0~30	1455	31.6	31.6
30~60	2346.5	50.9	50.9
60~90	806.8	17.5	17.5
0~90	4607.8	100	100

COEFFICIENTS OF UTILIZATION

RC	90				70				50			0
	60	50	30	10	60	50	30	10	50	30	10	0
RCR(0)	1.10	1.10	1.10	1.10	1.07	1.07	1.07	1.07	1.05	1.05	1.05	1.00
1	1.00	0.98	0.94	0.91	0.97	0.95	0.92	0.89	0.93	0.90	0.88	0.84
2	0.90	0.86	0.80	0.75	0.87	0.84	0.79	0.74	0.82	0.77	0.73	0.69
3	0.81	0.77	0.69	0.63	0.78	0.74	0.68	0.62	0.72	0.66	0.62	0.58
4	0.73	0.68	0.60	0.54	0.71	0.66	0.59	0.53	0.64	0.58	0.53	0.50
5	0.67	0.61	0.53	0.46	0.64	0.59	0.52	0.46	0.58	0.51	0.46	0.43
6	0.61	0.55	0.47	0.40	0.59	0.54	0.46	0.40	0.52	0.45	0.40	0.37
7	0.56	0.50	0.42	0.36	0.54	0.49	0.41	0.35	0.48	0.41	0.35	0.33
8	0.52	0.46	0.38	0.32	0.50	0.45	0.37	0.32	0.44	0.37	0.32	0.29
9	0.48	0.42	0.34	0.29	0.46	0.41	0.34	0.28	0.40	0.33	0.28	0.26
10	0.44	0.39	0.31	0.26	0.43	0.38	0.31	0.26	0.37	0.30	0.26	0.24

CR = Room Cavity Ratio
RC = Effective Ceiling Cavity
Reflectance RW = Wall Reflectance

SAMJIN LED FET Luminaire Series With an integral Emergency Battery Kit

FEATURES

SAMJIN LED Flat Panel recessed troffer luminaire with an integral **Philips Bodine Emergency LED Driver (BSL17C)** is configured with a 90-minute Battery Pack, compliant with the NFPA 101 Life Safety Code

Operation

When AC power fails, it immediately switches to the emergency mode, operating the LEDs for 90 minutes. When AC power restored the emergency driver automatically returns to normal mode. Recharge Time: 24Hrs.
Warranty: 5 years

Emergency LED Driver (BSL17C)

Performance Summary

Delivered Light Output: 1300 (PLUS) lumens
Input Voltage: 120-277VAC
Input Current: 60 [Hz]
Input Power: 3.0 W
Output Voltage: $V_o = 30\sim 80$ [VDC]
Output Current: $I_o = 200$ [mA] (Max)
Output Power: 7.0 W (Max)

Battery Sustainability Time

Illumination Time: 90 minute or more
Recharge Time: 24Hrs.
Test Switch: Indicator

Certification

UL 924 Issue:2006/02/24 Ed:9 Rev:2011/02/18 UL Standard for Safety Emergency Lighting and Power Equipment
CSA C22.2#141 Issue:2010/09/01 Ed:4 Unit Equipment for Emergency Lighting)



Ordering Information

Reference SAMJIN Troffer specsheets for ordering details.