

# FET22 (2x2) 25W & 40W Series



Edge Lit 2x2

## PRODUCT DESCRIPTION

- System Input Power: 25W/40W
- Efficacy: 110 lm/W
- Lifetime Rating: 50,000Hrs
- Input Frequency(Hz): 50/60Hz
- IP 44 Rated – Protected from water spray from any direction.
- Available with “Magnum OPUS” DLC Networked Listed Lighting Controls for 0~10 Volt Dimming

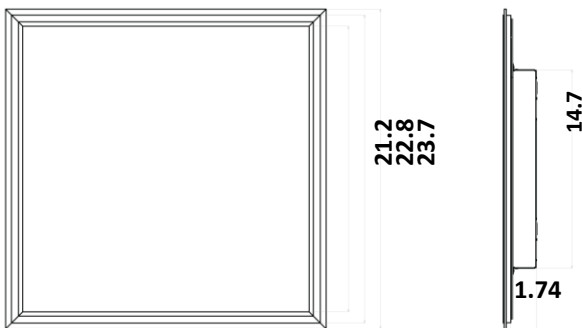
## PRODUCT DESCRIPTION

Samjin's FTB Edge-Lit Flat Panel Series is designed for maximum uniformity with minimum glare. This minimalist design provides a biophilic illumination for various living environments. All FET models come with standard 0-10V dimming, ready to integrate with any popular control system including MADNUM OPUS DLC Networked Lighting Controls.

## APPLICATIONS

Office	Fitness Center
School	Retail
Healthcare	

## DIMENSIONS (Inches)



## ORDERING INFORMATION

FET	22	-040	DM	40	IUS
<b>Model</b>	<b>Size</b>	<b>Wattage</b>	<b>CCT</b>	<b>CCT</b>	<b>Mounting</b>
FET Edge Lit	22 2' x 2'	-25 025 W -32 032 W -40 040 W	DM/ZT 0 ~ 10 Dimming	30 3000K 40 4000K 50 5000K	IUS Recessed  (Surface Mounted Frames Available)

## Product Control Options:

- FET24 series can be controlled with standard 0-10V LED dimmers. Tested 0-10V LED Dimmers include:  
Lutron – DIVA  
WattStopper – DLM
- (Available with “Magnum OPUS” DLC Networked Listed Lighting Controls for 0~10 Volt Dimming)

### PERFORMANCE FET22-025(DM/ZT)(30/40/50)IUS

Light Output (lm)	2750	2750	2875
Power (W)	25		
Efficacy (lm/W)	110	110	115

### PERFORMANCE FET22-040(DM/ZT)(30/40/50)IUS

Light Output (lm)	4400	4400	4600
Power (W)	40		
Efficacy (lm/W)	110	110	115
CCT (K)	3000	4000	5000
CRI (Ra)	> 80		
Power Factor	> 0.9		
Input Voltage(V)	100 – 277		

### PHYSICAL INFO

Dimension (inches)	23.7”(L) x 23.7” (W) x 1.74”(H)
Weight (lb)	10.4 lb

### INSTALLATION

Spacing Criteria	1.24 (0-180°)	1.24 (90°-270°)
Control	0-10V Dimming	
Mounting	Recessed	

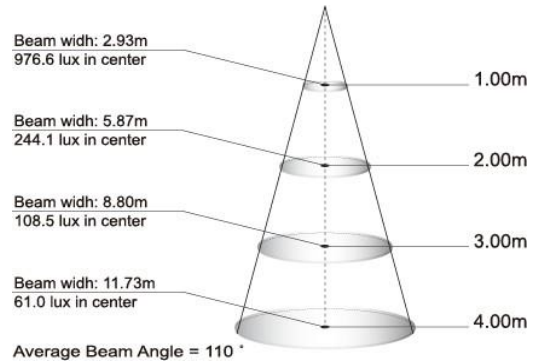
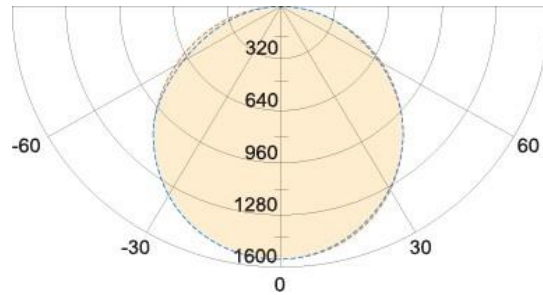
### WARRANTY

5-Year Warranty (Terms and Conditions Apply)

### CERTIFICATIONS & QUALIFICATIONS



**LIGHT DISTRIBUTION & DISTANCE LUMINARY - FET22-025ZT30IUS  
- FET22-025ZT40IUS**



**ZONAL LUMEN SUMMARY**

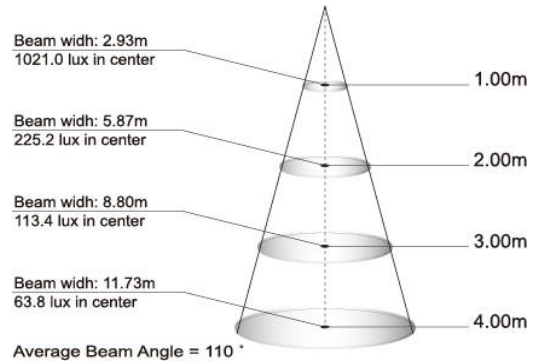
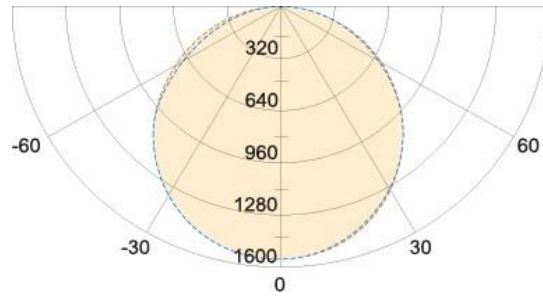
Zone	Lumens	% Lamp	Luminaire
0~30	869.8	31.6	31.6
30~60	1402.9	50.9	50.9
60~90	482.3	17.5	17.5
0~90	2755	100	100

**COEFFICIENTS OF UTILIZATION**

RC	90				70				50			0
RW	60	50	30	10	60	50	30	10	50	30	10	0
<b>RCR(0)</b>	1.10	1.10	1.10	1.10	1.07	1.07	1.07	1.07	1.05	1.05	1.05	1.00
<b>1</b>	1.00	0.98	0.94	0.91	0.97	0.95	0.92	0.89	0.93	0.90	0.88	0.84
<b>2</b>	0.90	0.86	0.80	0.75	0.87	0.84	0.79	0.74	0.82	0.77	0.73	0.69
<b>3</b>	0.81	0.77	0.69	0.63	0.78	0.74	0.68	0.62	0.72	0.66	0.62	0.58
<b>4</b>	0.73	0.68	0.60	0.54	0.71	0.66	0.59	0.53	0.64	0.58	0.53	0.50
<b>5</b>	0.67	0.61	0.53	0.46	0.64	0.59	0.52	0.46	0.58	0.51	0.46	0.43
<b>6</b>	0.61	0.55	0.47	0.40	0.59	0.54	0.46	0.40	0.52	0.45	0.40	0.37
<b>7</b>	0.56	0.50	0.42	0.36	0.54	0.49	0.41	0.35	0.48	0.41	0.35	0.33
<b>8</b>	0.52	0.46	0.38	0.32	0.50	0.45	0.37	0.32	0.44	0.37	0.32	0.29
<b>9</b>	0.48	0.42	0.34	0.29	0.46	0.41	0.34	0.28	0.40	0.33	0.28	0.26
<b>10</b>	0.44	0.39	0.31	0.26	0.43	0.38	0.31	0.26	0.37	0.30	0.26	0.24

CR = Room Cavity Ratio  
RC = Effective Ceiling Cavity  
Reflectance RW = Wall Reflectance

## LIGHT DISTRIBUTION & DISTANCE LUMINARY - FET22-025ZT50IUS



### ZONAL LUMEN SUMMARY

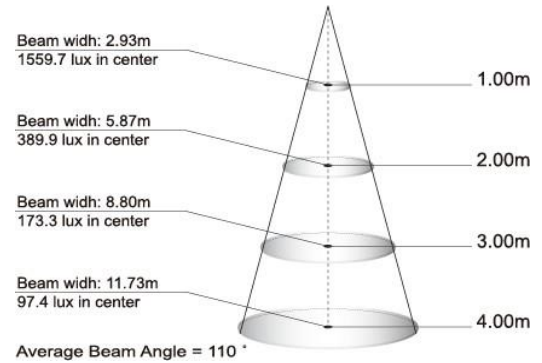
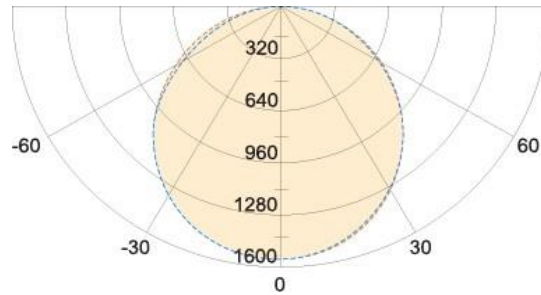
Zone	Lumens	% Lamp	Luminaire
0~30	909.4	31.6	31.6
30~60	1466.6	50.9	50.9
60~90	504.2	17.5	17.5
0~90	2880.2	100	100

### COEFFICIENTS OF UTILIZATION

RC	90				70				50			0
	60	50	30	10	60	50	30	10	50	30	10	0
RW	60	50	30	10	60	50	30	10	50	30	10	0
RCR(0)	1.10	1.10	1.10	1.10	1.07	1.07	1.07	1.07	1.05	1.05	1.05	1.00
1	1.00	0.98	0.94	0.91	0.97	0.95	0.92	0.89	0.93	0.90	0.88	0.84
2	0.90	0.86	0.80	0.75	0.87	0.84	0.79	0.74	0.82	0.77	0.73	0.69
3	0.81	0.77	0.69	0.63	0.78	0.74	0.68	0.62	0.72	0.66	0.62	0.58
4	0.73	0.68	0.60	0.54	0.71	0.66	0.59	0.53	0.64	0.58	0.53	0.50
5	0.67	0.61	0.53	0.46	0.64	0.59	0.52	0.46	0.58	0.51	0.46	0.43
6	0.61	0.55	0.47	0.40	0.59	0.54	0.46	0.40	0.52	0.45	0.40	0.37
7	0.56	0.50	0.42	0.36	0.54	0.49	0.41	0.35	0.48	0.41	0.35	0.33
8	0.52	0.46	0.38	0.32	0.50	0.45	0.37	0.32	0.44	0.37	0.32	0.29
9	0.48	0.42	0.34	0.29	0.46	0.41	0.34	0.28	0.40	0.33	0.28	0.26
10	0.44	0.39	0.31	0.26	0.43	0.38	0.31	0.26	0.37	0.30	0.26	0.24

CR = Room Cavity Ratio  
 RC = Effective Ceiling Cavity  
 Reflectance RW = Wall Reflectance

## LIGHT DISTRIBUTION & DISTANCE LUMINARY - FET22-040ZT30IUS - FET22-040ZT40IUS



### ZONAL LUMEN SUMMARY

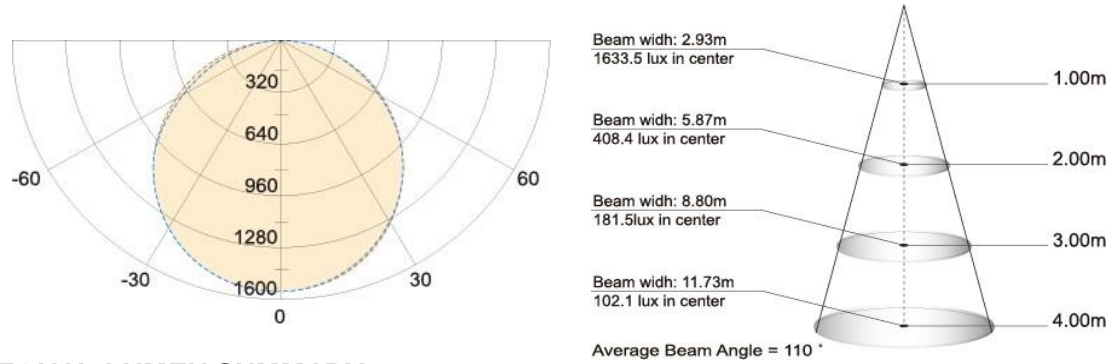
Zone	Lumens	% Lamp	Luminaire
0~30	1391.7	31.6	31.6
30~60	2244.6	50.9	50.9
60~90	771.6	17.5	17.5
0~90	4407.9	100	100

### COEFFICIENTS OF UTILIZATION

RC	90				70				50			0
	RW 60	50	30	10	60	50	30	10	50	30	10	0
<b>RCR(0)</b>	1.10	1.10	1.10	1.10	1.07	1.07	1.07	1.07	1.05	1.05	1.05	1.00
<b>1</b>	1.00	0.98	0.94	0.91	0.97	0.95	0.92	0.89	0.93	0.90	0.88	0.84
<b>2</b>	0.90	0.86	0.80	0.75	0.87	0.84	0.79	0.74	0.82	0.77	0.73	0.69
<b>3</b>	0.81	0.77	0.69	0.63	0.78	0.74	0.68	0.62	0.72	0.66	0.62	0.58
<b>4</b>	0.73	0.68	0.60	0.54	0.71	0.66	0.59	0.53	0.64	0.58	0.53	0.50
<b>5</b>	0.67	0.61	0.53	0.46	0.64	0.59	0.52	0.46	0.58	0.51	0.46	0.43
<b>6</b>	0.61	0.55	0.47	0.40	0.59	0.54	0.46	0.40	0.52	0.45	0.40	0.37
<b>7</b>	0.56	0.50	0.42	0.36	0.54	0.49	0.41	0.35	0.48	0.41	0.35	0.33
<b>8</b>	0.52	0.46	0.38	0.32	0.50	0.45	0.37	0.32	0.44	0.37	0.32	0.29
<b>9</b>	0.48	0.42	0.34	0.29	0.46	0.41	0.34	0.28	0.40	0.33	0.28	0.26
<b>10</b>	0.44	0.39	0.31	0.26	0.43	0.38	0.31	0.26	0.37	0.30	0.26	0.24

CR = Room Cavity Ratio  
RC = Effective Ceiling Cavity Reflectance  
RW = Wall Reflectance

## LIGHT DISTRIBUTION & DISTANCE LUMINARY - FET22-040ZT50IUS



### ZONAL LUMEN SUMMARY

Zone	Lumens	% Lamp	Luminaire
0~30	1455	31.6	31.6
30~60	2346.5	50.9	50.9
60~90	806.8	17.5	17.5
0~90	4607.8	100	100

### COEFFICIENTS OF UTILIZATION

RC	90				70				50			0
	60	50	30	10	60	50	30	10	50	30	10	0
RCR(0)	1.10	1.10	1.10	1.10	1.07	1.07	1.07	1.07	1.05	1.05	1.05	1.00
1	1.00	0.98	0.94	0.91	0.97	0.95	0.92	0.89	0.93	0.90	0.88	0.84
2	0.90	0.86	0.80	0.75	0.87	0.84	0.79	0.74	0.82	0.77	0.73	0.69
3	0.81	0.77	0.69	0.63	0.78	0.74	0.68	0.62	0.72	0.66	0.62	0.58
4	0.73	0.68	0.60	0.54	0.71	0.66	0.59	0.53	0.64	0.58	0.53	0.50
5	0.67	0.61	0.53	0.46	0.64	0.59	0.52	0.46	0.58	0.51	0.46	0.43
6	0.61	0.55	0.47	0.40	0.59	0.54	0.46	0.40	0.52	0.45	0.40	0.37
7	0.56	0.50	0.42	0.36	0.54	0.49	0.41	0.35	0.48	0.41	0.35	0.33
8	0.52	0.46	0.38	0.32	0.50	0.45	0.37	0.32	0.44	0.37	0.32	0.29
9	0.48	0.42	0.34	0.29	0.46	0.41	0.34	0.28	0.40	0.33	0.28	0.26
10	0.44	0.39	0.31	0.26	0.43	0.38	0.31	0.26	0.37	0.30	0.26	0.24

CR = Room Cavity Ratio  
 RC = Effective Ceiling Cavity  
 Reflectance RW = Wall Reflectance

## SAMJIN LED FET Luminaire Series With an integral Emergency Battery Kit

### FEATURES

SAMJIN LED Flat Panel recessed troffer luminaire with an integral **Philips Bodine Emergency LED Driver (BSL17C)** is configured with a 90-minute Battery Pack, compliant with the NFPA 101 Life Safety Code

### Operation

When AC power fails, it immediately switches to the emergency mode, operating the LEDs for 90 minutes. When AC power restored the emergency driver automatically returns to normal mode. Recharge Time: 24Hrs.  
Warranty: 5 years

### Emergency LED Driver (BSL17C)

#### Performance Summary

Delivered Light Output: 1300 (PLUS) lumens  
Input Voltage: 120-277VAC  
Input Current: 60 [Hz]  
Input Power: 3.0 W  
Output Voltage:  $V_o = 30\sim 80$  [VDC]  
Output Current:  $I_o = 200$ [mA] (Max)  
Output Power: 7.0 W (Max)

### Battery Sustainability Time

Illumination Time: 90 minute or more  
Recharge Time: 24Hrs.  
Test Switch: Indicator

### Certification

UL 924 Issue:2006/02/24 Ed:9 Rev:2011/02/18 UL Standard for Safety Emergency Lighting and Power Equipment  
CSA C22.2#141 Issue:2010/09/01 Ed:4 Unit Equipment for Emergency Lighting)



### Ordering Information

Reference SAMJIN Troffer specsheets for ordering details.