



PRODUCT DESCRIPTION

- System Input Power: 16W
- High Efficacy: 100 lm/W
- Input Frequency: 50/60Hz
- Bluetooth Wireless controls w/ SMART Dimming & Color Tunable
- SAMJIN "BREEZE" Bluetooth System is an advanced tunable office lighting system that can provide daylight simulation between 2,700K to 6,500K, while dynamically interacting with both occupancy and photo sensors.

Preliminary Specification PRODUCT SPECIFICATION

PERFORMANCE	DL08C-016BTCTBUS
Light Output (lm)	1,600
Input Power (W)	16
Efficacy (lm/W)	100
CCT (K)	2700K ~ 6500K
CRI (Ra)	> 80
Power Factor	> 0.9
Input Voltage (V)	120 -277V
Operating Temp.	-20 ~ 40°C

□ Tolerance Range : ± 10%

PHYSICAL INFO	D×H
Dimension (mm / inch)	220 x 129.7 / 8.66 x 5.11
Weight (kg / lb)	1.2 / 2.65

CERTIFICATIONS & QUALIFICATIONS

Pending



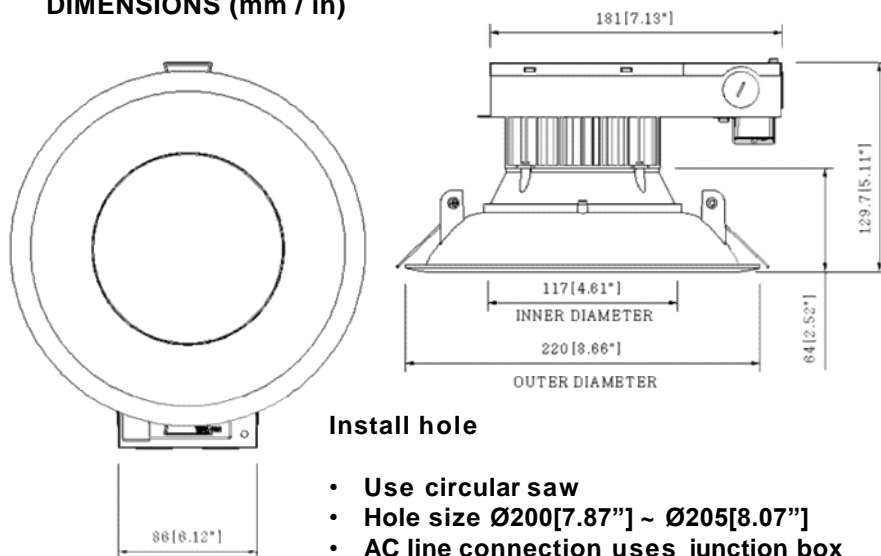
User Friendly
"BREEZE" App



Wall Controller

SAMJIN's free "BREEZE" App is available for iOS and Android smart devices.

DIMENSIONS (mm / in)

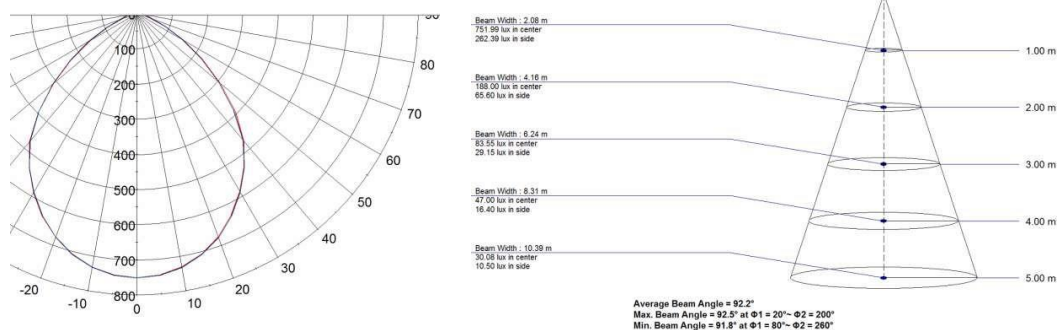


Install hole

- Use circular saw
- Hole size Ø200[7.87"] ~ Ø205[8.07"]
- AC line connection uses junction box

Preliminary Specification

LIGHT DISTRIBUTION & DISTANCE LUMINARY



ZONAL LUMEN SUMMARY

Zone	Lumens	% Lamp	Luminaire
0~30	568	35.5	35.5
30~60	809.6	50.6	50.6
60~90	222.4	13.9	13.9
0~90	1,600	100	100

COEFFICIENTS OF UTILIZATION

RC	90				70				50			0	
	RW	60	50	30	10	60	50	30	10	50	30	10	0
RCR (0)	1.09	1.09	1.09	1.09	1.06	1.06	1.06	1.06	1.06	1.04	1.04	1.04	0.99
1	1.01	0.99	0.96	0.93	0.98	0.97	0.94	0.92	0.95	0.92	0.90	0.86	0.86
2	0.92	0.89	0.84	0.80	0.90	0.87	0.83	0.79	0.85	0.81	0.78	0.75	0.75
3	0.84	0.81	0.74	0.69	0.82	0.79	0.73	0.68	0.77	0.72	0.68	0.65	0.65
4	0.77	0.73	0.66	0.60	0.75	0.71	0.65	0.60	0.70	0.64	0.59	0.57	0.57
5	0.71	0.66	0.59	0.53	0.69	0.65	0.58	0.53	0.63	0.57	0.53	0.50	0.50
6	0.66	0.61	0.53	0.47	0.64	0.59	0.52	0.47	0.58	0.52	0.47	0.45	0.45
7	0.61	0.55	0.48	0.42	0.59	0.54	0.47	0.42	0.53	0.47	0.42	0.40	0.40
8	0.56	0.51	0.44	0.38	0.55	0.50	0.43	0.38	0.49	0.43	0.38	0.36	0.36
9	0.52	0.47	0.40	0.35	0.51	0.46	0.39	0.35	0.45	0.39	0.35	0.33	0.33
10	0.49	0.44	0.37	0.32	0.48	0.43	0.36	0.32	0.42	0.36	0.32	0.30	0.30

ORDERING INFORMATION

DL	08C	-	016	BT	CT	B	US
Model	Size(inch)	-	Wattage	Control type	CCT	PKG	Country
Down Light	08 8 Inch	-	016 16W	BT BLE	CT 2700~6500K	B Seoul Semicon	US UNITED STATES